

A

B

C

D

1

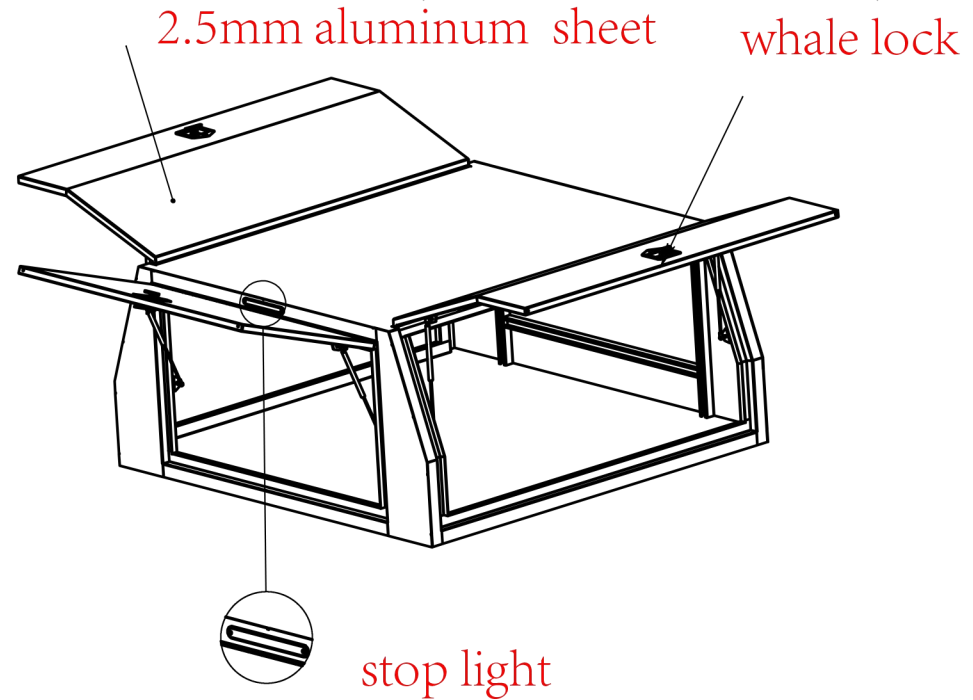
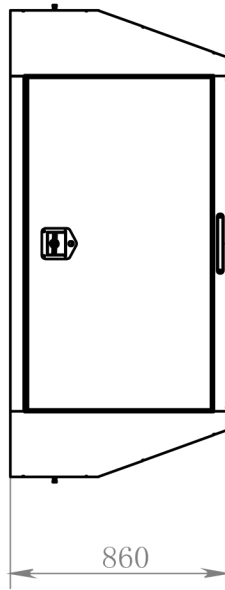
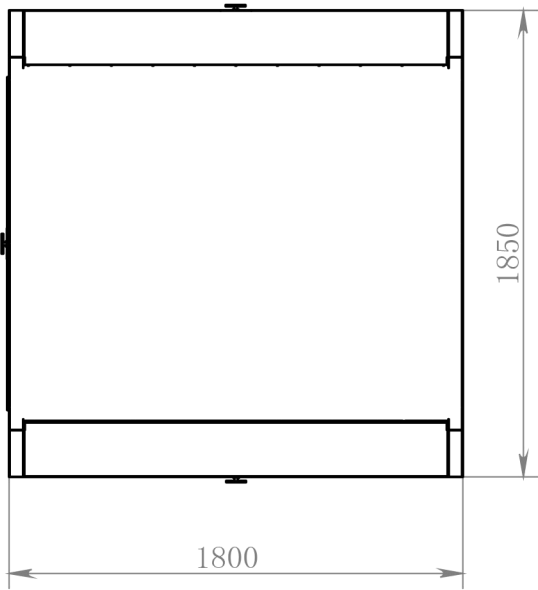
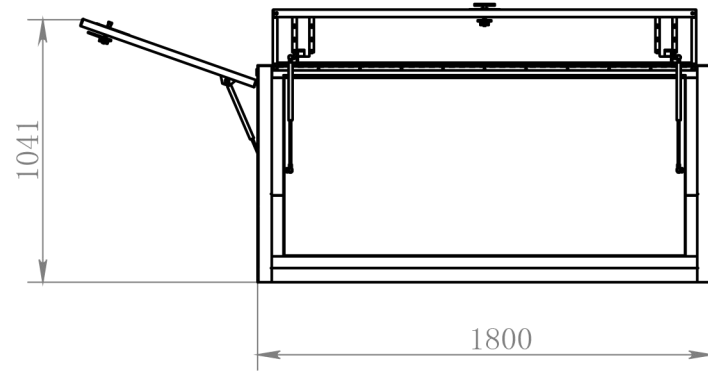
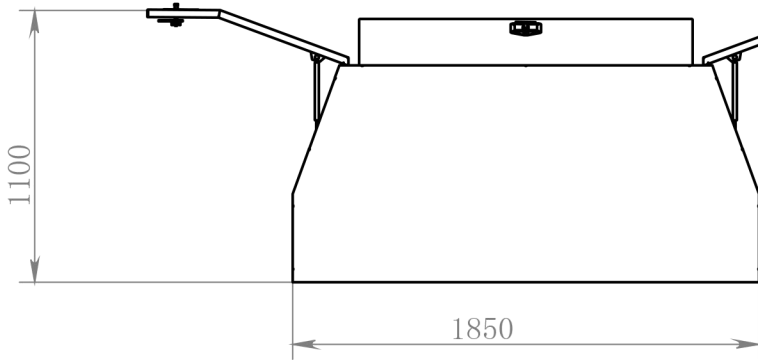
2

3

4

5

6



size : 1800x1850x860

4

5

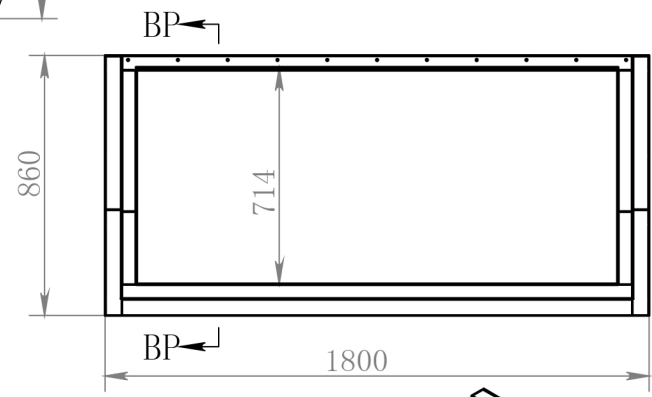
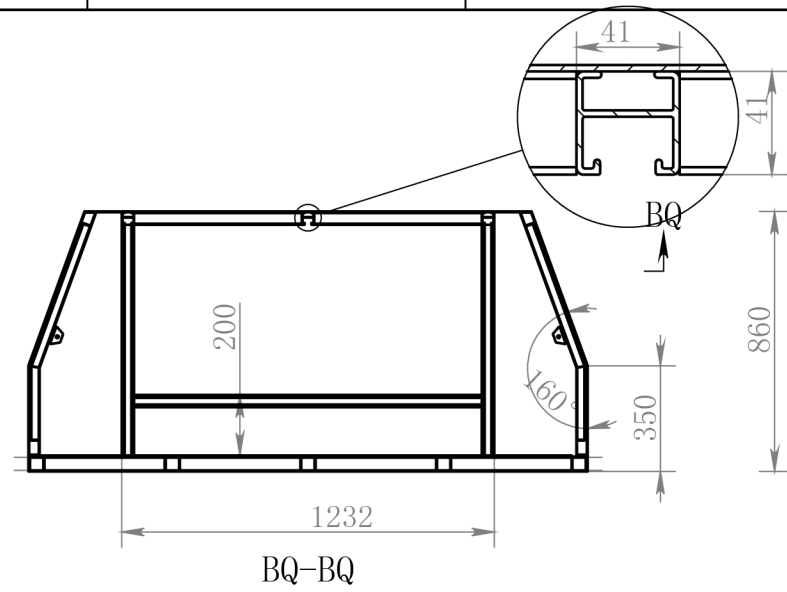
1 2 3 4 5 6

A

A

aluminum extrusion for tie down track

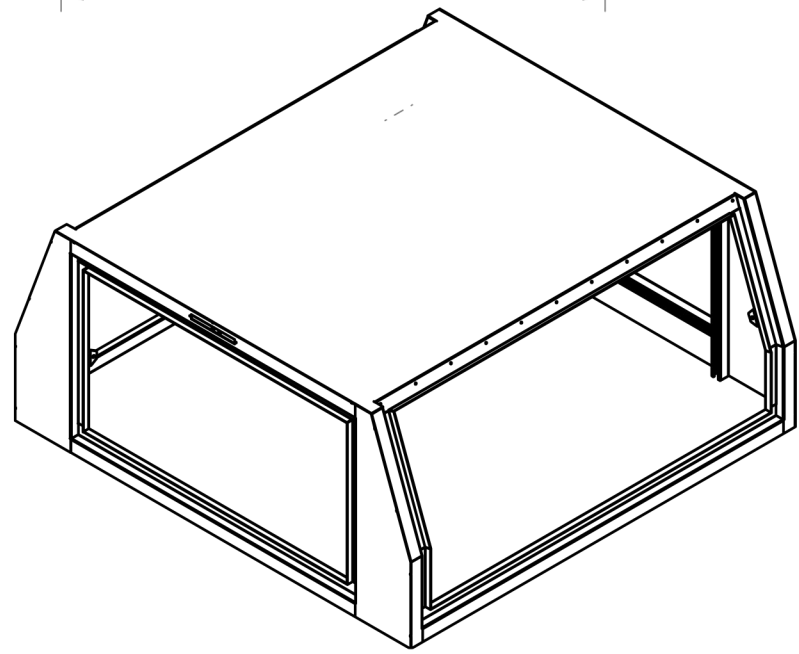
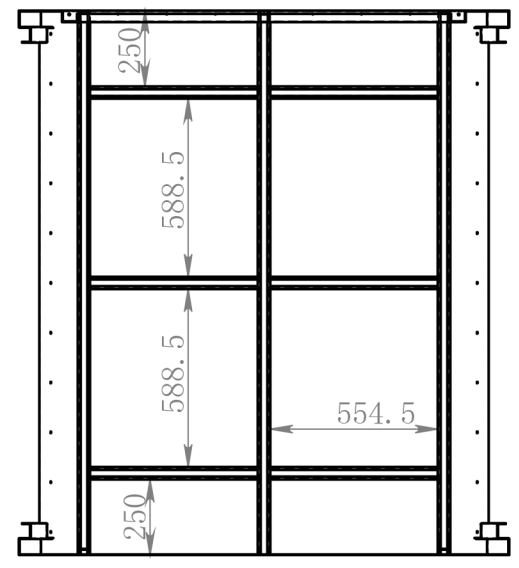
BQ



B

B

BQ-BQ



C

C

D

D